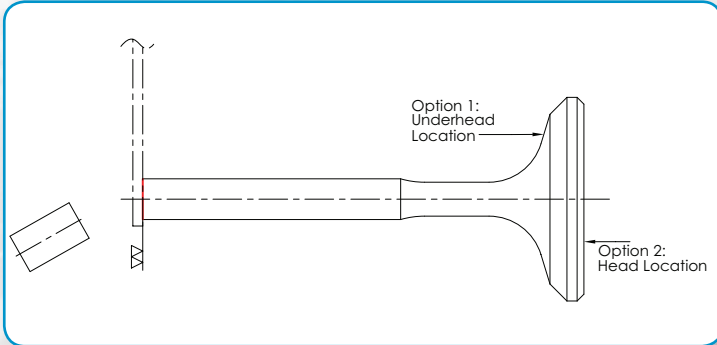




# VCL-M1 Valve Cut Off Machine

## Dry Cutting Conventional Abrasive Wheel

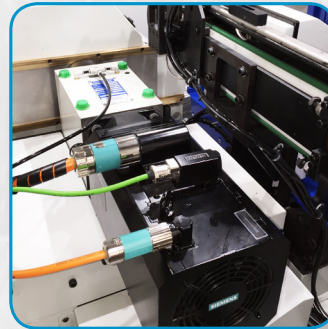


### Key Points

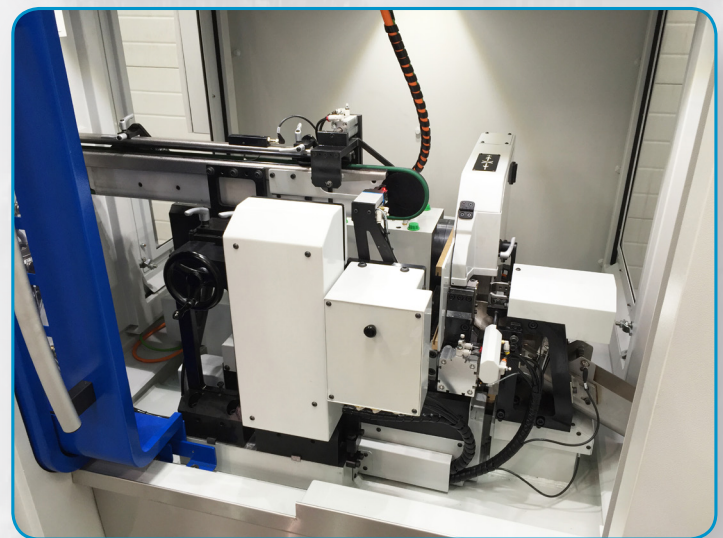
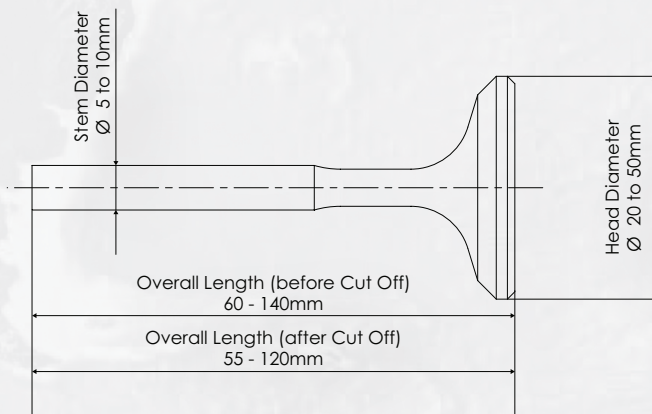
- Dry cutting without coolant.
- Ideal for cutting before Friction Welding.
- Fast cycle time < 3 seconds.
- Programmable servo control of cutting and length adjustment.

### Features

- 350 mm Ø conventional abrasive cut-off wheel.
- Automatic wheel wear compensation.
- 7kW, 5,000 rpm Spindle with variable speed.
- Fast, reliable automatic loading.
- Adjustable clamping to minimise run-out.
- Siemens or Allen Bradley Controls.



### Valve Size Range



NOTE : All measurements are for a standard machine. Other options are available.