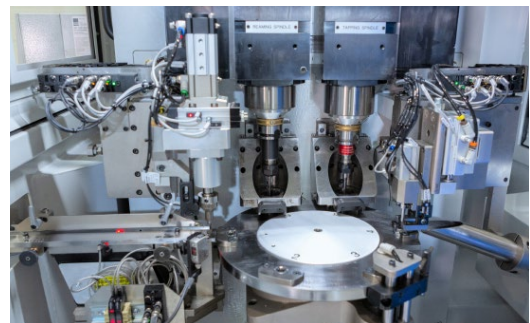
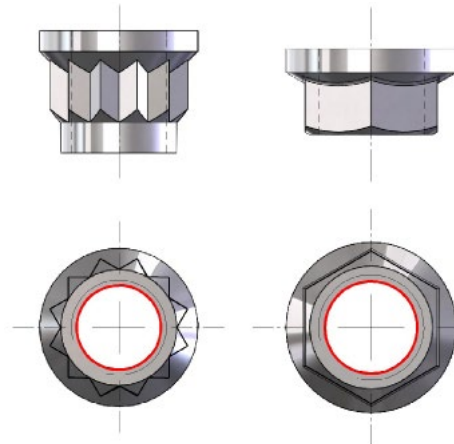


RT-SX1

Reaming & Tapping Machine



Application



Key Points

- A powerful and versatile machine which can Ream (or Drill) and Tap a wide range of nuts in difficult materials
- Fully-programmable servo control of all axes
- Rigid and powerful quill spindles
- Fast Set-up and Changeover
- Good swarf and coolant management
- Specially-written user-friendly software in multiple languages
- Industry 4.0 compatible

Features

- Tapping torque > 50 Nm
- Servo-controlled 6-station Indexer
- Non-cutting time (Index + Clamp) = 1.2 seconds
- Quick-change pre-settable HSK 50 tool holders
- Allen Bradley control (Siemens as an option)
- 3G / Ethernet Modem for remote access

View product at e-tech.co.uk

or contact sales@e-tech.co.uk