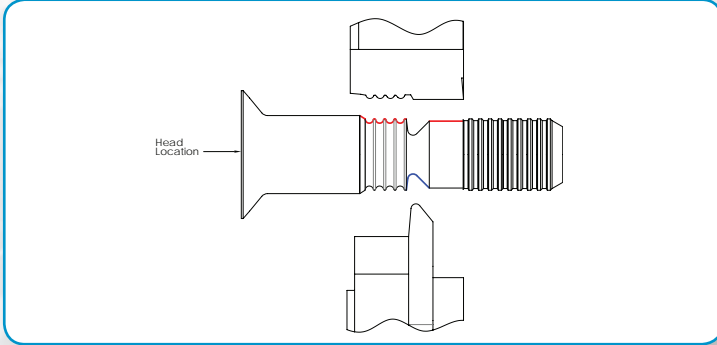




TS-X3 Twin Slide Lathe



Key Points

- Turning Lock Grooves, Break-neck and Roll-back Land on Titanium Aerospace Lock-Bolts
- Fully programmable servo control
- Cycle Time: < 3 seconds
- Quick Changeover

Features

- Two servo-controlled slides working simultaneously
- Absolute Linear Encoders on both slides
- High-precision 5kW 5,000 rpm servo-driven spindle
- New fast automatic loading
- Siemens or Allen Bradley control
- 8" colour touch-screen HMI
- Specially-written user-friendly software in multiple languages
- 3G / Ethernet Modem for remote access
- Fire Suppression system

Size Range

