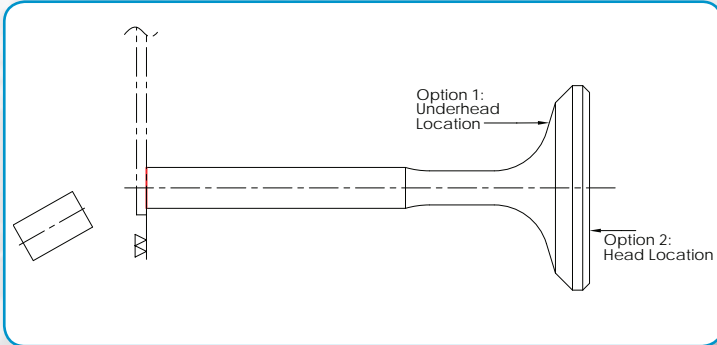




# VCL-X1 Valve Cut Off Machine

Wet Cutting, Large Valves



## Key Points

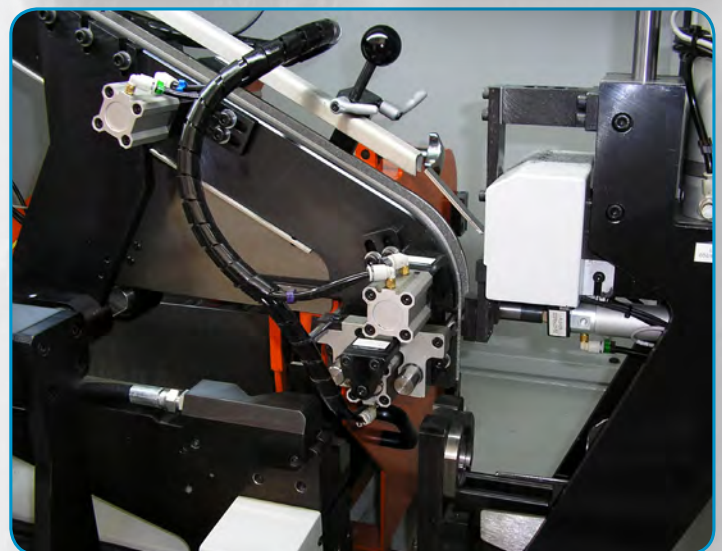
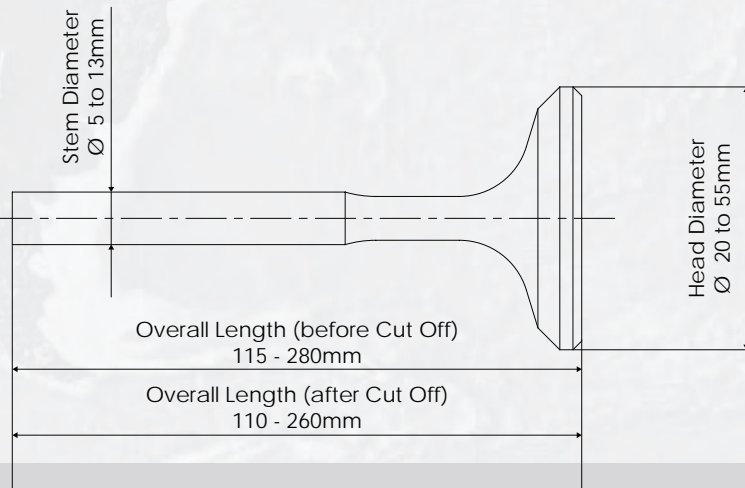
- Wet cutting with CBN or Conventional Wheel
- Fast cycle time
- Programmable servo control of cutting and length adjustment.

## Features

- 400 mm Ø cut-off wheel
- Automatic wheel wear compensation
- 7kW, 5,000 rpm Spindle with variable speed
- Fast, reliable automatic loading
- Adjustable clamping to minimise run-out
- Siemens or Allen Bradley Controls



## Valve Size Range



NOTE : All measurements are for a standard machine. Other options are available.