

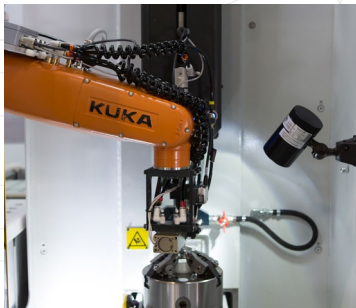
FR-XH1

4 Tonne Semi-Automatic Fillet Rolling Machine



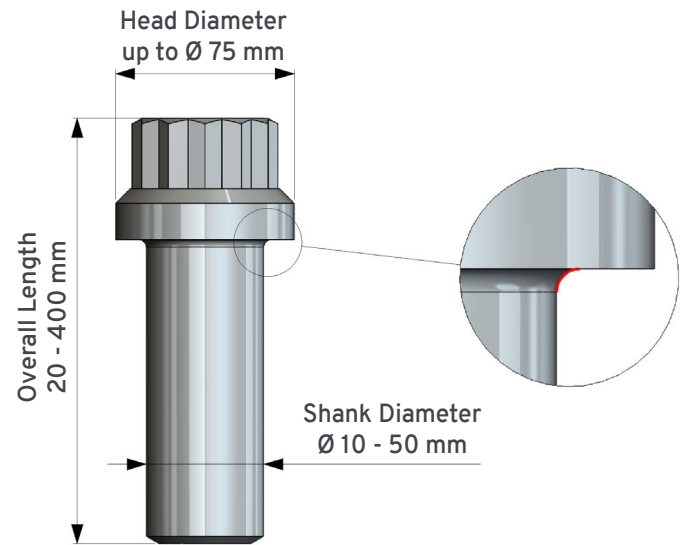
Key Points

- Rolling the under-head radius of fasteners with up to 4-tonnes of force
- 200 - 1000 parts per hour depending on size
- Precise, programmable rolling parameters with 100% in-process checking
- Specially-written user-friendly software in multiple languages
- Industry 4.0 compatible
- Fast changeover
- Safe, clean working
- Easy maintenance
- Customisable levels of automation to fit in with the production line



Application

Designed for large fasteners up to M50 x 400 mm long in a range of materials.



Features

- Free-standing machine designed to be at a comfortable height for a seated operator
- Automatic cycle initiated by two-hand safety switches
- Safety light curtain to protect the operator during the cycle
- Load cell to measure actual rolling force during each cycle and to check that it is within programmed limits
- Programmable control of rolling force, rpm & time
- Drive unit with inverter controlled spindle motor
- Allen Bradley or Siemens PLC control system with 6" touch-screen (HMI)
- Integrated coolant tank, filter and pump
- Lockable tool tray
- 3G / Ethernet Modem for remote access

View product at e-tech.co.uk

or contact sales@e-tech.co.uk